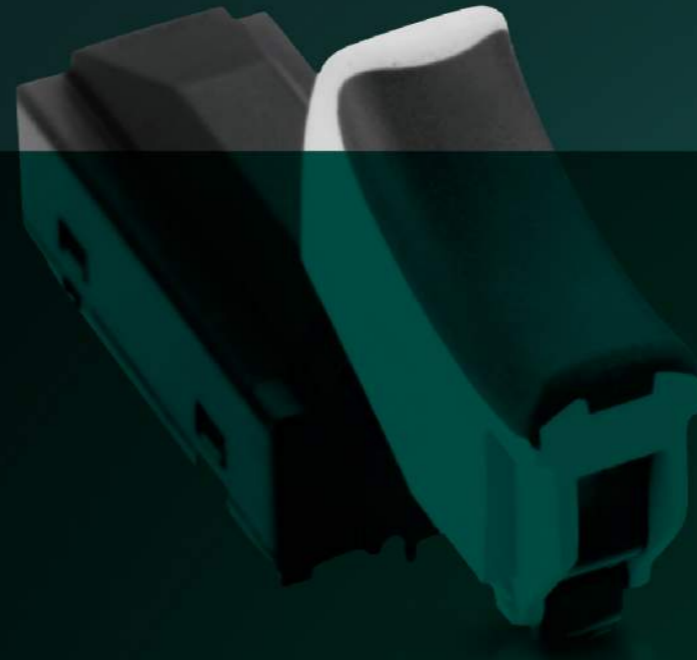
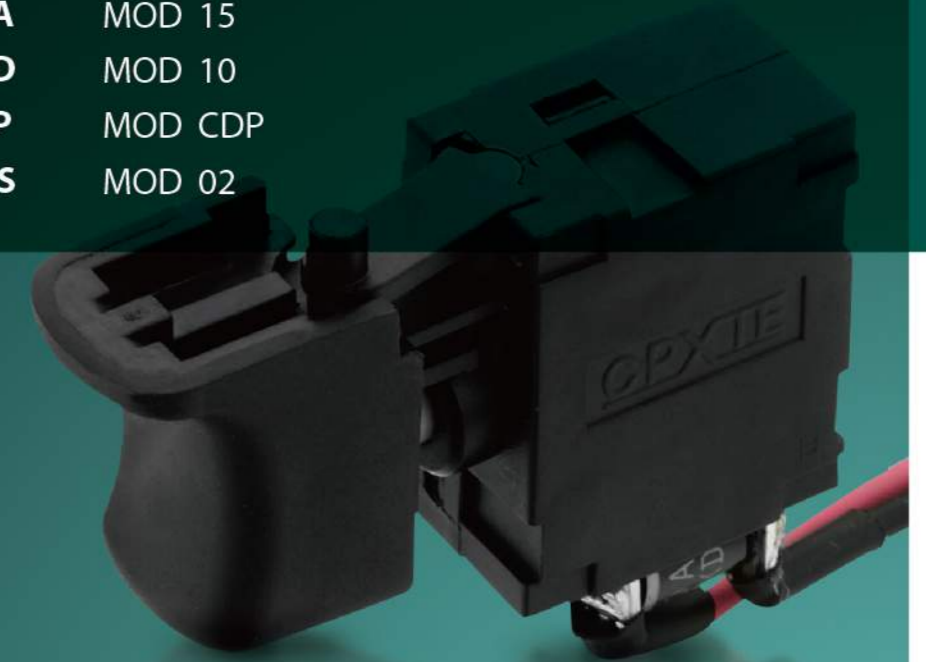


SWITCH SERIES

直流开关系列



DPF	MOD DPF
DPA	MOD 04
DPE	MOD DPE
SDC	MOD 61
HP	MOD 06
CHA	MOD 15
CHD	MOD 10
CDP	MOD CDP
MCS	MOD 02



Product series: DPF

MODEL:DPF

型号 DPF

General Characteristics

一般的规格参数

Function:

- Lithium battery variable speed version
- Integrated mechanical reversing
- Lithium battery integrated smart switch (optional multiple electronic functions)
- Lithium battery ON/OFF version
- Brake
- Various duty cycle and frequency

产品功能:

- 锂电调速开关
- 内置机械换向
- 锂电智能集成开关(带电子功能)
- 锂电ON/OFF开关
- 可带刹车功能
- 不同占空比和频率

Electronic protection function :

- Auxiliary output for LED
- Overland and over current protection
- Battery temperature protection
- Mosfet temperature protection
- Stall protection
- Battery Single cell collage protection
- ESD protection
- Communication function
- Customized other electronic functions

电子保护功能:

- 可带LED灯
- 过流保护
- 电池温度保护
- FET温度保护
- 堵转保护
- 单电池保护
- 静电保护
- 通信功能
- 客户定制的其他电子功能

Terminals:

- Solder terminal or Q.C. Terminal for Motor
- Solder terminal for power supply

端子:

- 马达端子为焊锡端子或快插端子
- 电源端子为焊锡端子

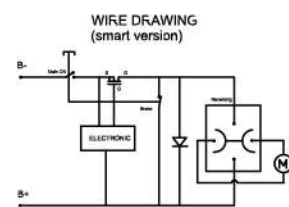
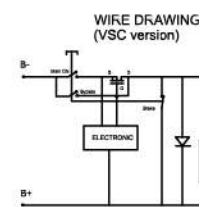
Applications :

- Apply to lithium battery serial tools , including Drills , Wrenches , Hammers , Saws , etc.

应用:

- 适用于锂电工具系列,包括电钻、扳手、电锤、锯等

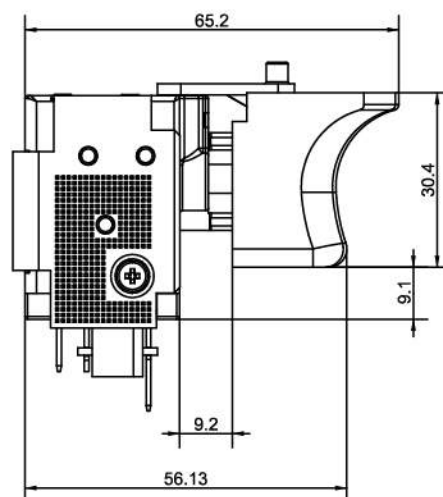
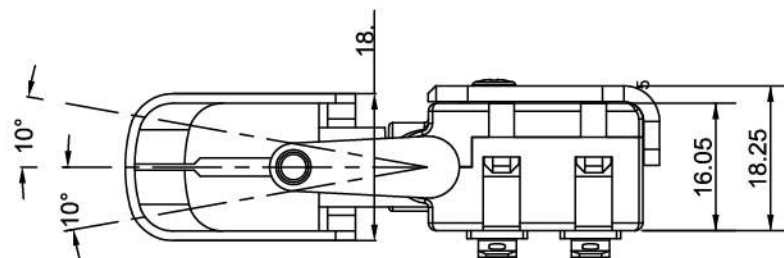
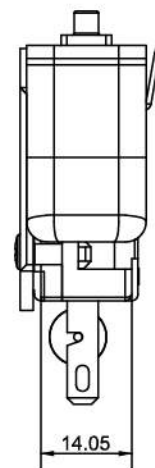
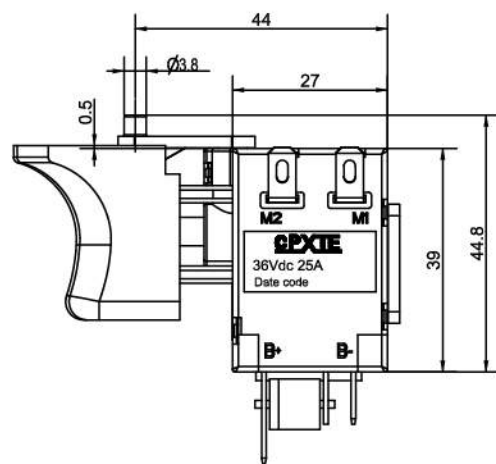
Circuit Diagram 原理图



Approvals 安规认证

Models	Approbation:	
Mod : DPF	10~30A 24~42Vdc 5E4	15~30A 24~48Vdc 5E4

Switch Base Shape (开关)本体形状



未来电动工具发展的趋势是
DC、小型化、更轻便、动力
更强劲、更加智能化.....

The Design trend of Power
Tools-DC,Smaller,Lighter,More
powerful,Smarter.....

“CPXTE” 锂电智能开关, 功
能稳定、安全可靠

“CPXTE” DC Smart Switch,with
stable functions,safe and reliable

DPA

用于 < 62Vdc 无刷系列工具的调阻开关（可选带主触点机构）

“CPXTE”开关安全可靠、寿命更长。

Variable resistance switches specially for < 62Vdc brushless serial power tools. With or without main contact system.

“CPXTE” switch safe and Reliable, Longer service life.

Product series: DPA

MODEL 04

型号 04

General Characteristics

Function:

- Single pole switch with speed control electronics
- Electronic reversing for Brushless Tools
- Switch for high power brushless tools

Optional:

- Reversing
- ON/OFF switch for lithium battery/brushless high power tools
- Potentiometer
- Trigger Shape & dimension customized
- Diode

Output:

- Solder terminal/wire
- Connector for potentiometer & reversing & Signal

Applications:

- Apply to brushless serial tools, including Drills, Wrenches, Hammers, Saws, etc.

一般的规格参数

产品功能:

- 单极带可变电阻输出的开关
- 电子换向, 用于无刷系列工具
- 大功率无刷工具开关

可选择的附加功能有:

- 换向
- 锂电/无刷大功率ON/OFF开关
- 可变电阻
- 扳机形状及尺寸可按客户定制。
- 二极管

输出:

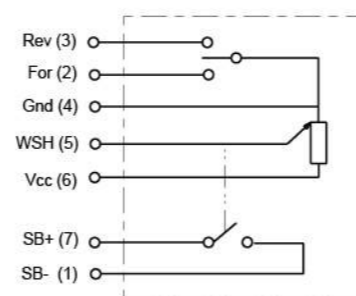
- 焊锡端子/导线
- 连接器 (供可变电阻输出及电子换向及 ON/OFF 前后端子型号)

应用:

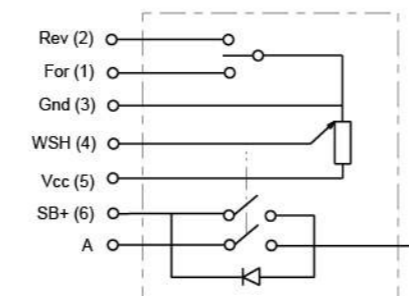
- 适用于无刷系列工具, 例如电钻、扳手、电锤、锯等。

Circuit Diagram 原理图

信号版本
Signal switch version



过大电流版本
Excessive current version

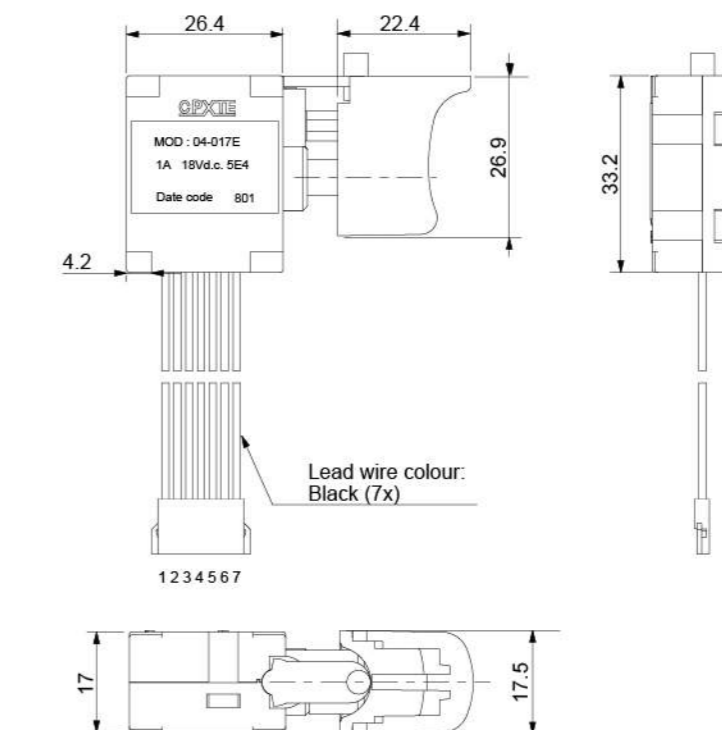


Approvals 安规认证

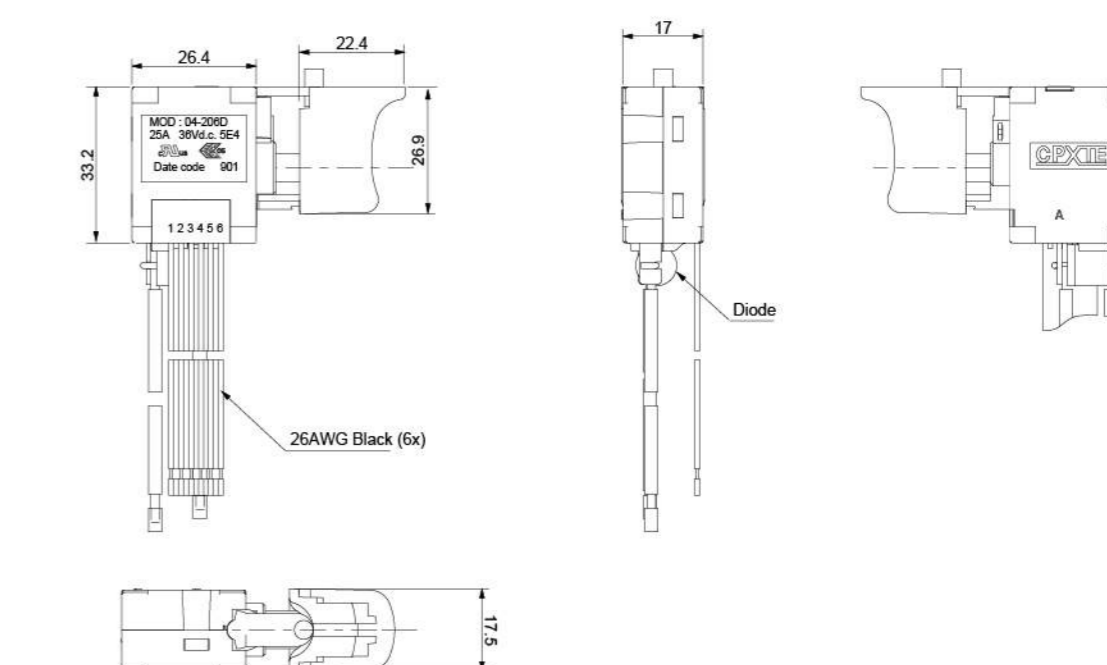
Models	Approbation:	
	UL US	05
Mod : 04	10-30A 24-48Vdc 5E4 10A up to 30A 24Vdc-62Vdc 5E4	15-30A 24-62Vdc 5E4

Switch Base Shape (开关) 本体形状

信号版本 Signal switch version



过大电流版本 Excessive current version



Product series: DPE

MODEL DPE

型号 DPE



General Characteristics

Function:

- Single pole switch with speed control electronics
- Mechanical reversing/Electronic reversing
- Small volume switch for higher power DC serial tools

Optional:

- Brake
- Reversing module
- ON/OFF version
- Potentiometer
- Unilateral speed limit
- Diode
- Trigger shape and size can be customized

Terminals:

- Solder or 4.8x0.8mm Quick-Connect Terminal

Applications:

- Apply to lithium battery serial tools, such as Drills, Wrenches, Hammers, Saws, etc.

一般的规格参数

产品功能:

- 单极带可变电阻输出的开关
- 机械换向/电子换向
- 小型化开关, 用于较大功率DC系列工具

可选择的附加功能有:

- 刹车功能
- 换向功能
- ON/OFF开关
- 可变电阻
- 单边限速(限位)
- 二极管
- 扳机形状尺寸可按客户定制

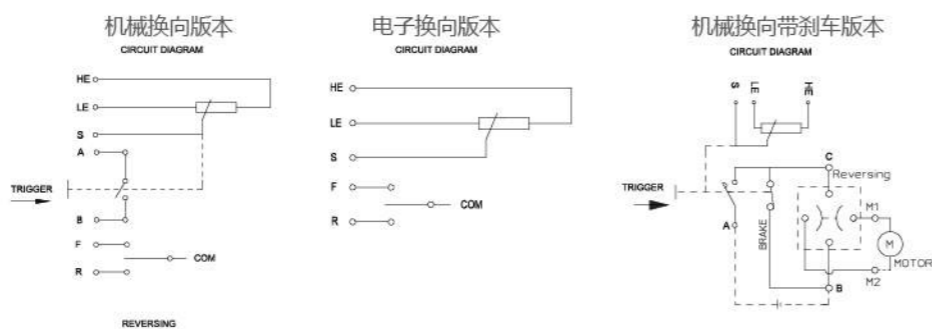
端子:

- 焊接端子或快接端子4.8*0.8mm

应用:

- 适用于锂电系列工具, 例如电钻、扳手、电锤、锯等

Circuit Diagram 原理图

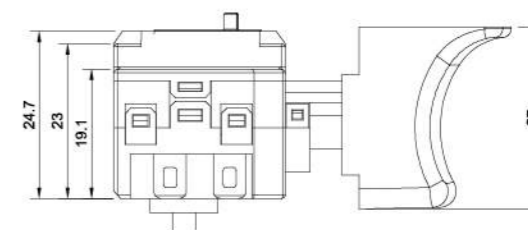
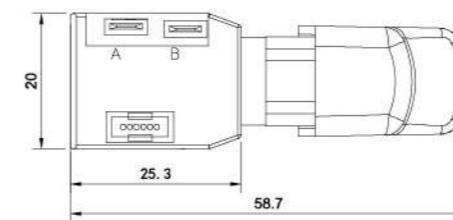


Approvals 安规认证

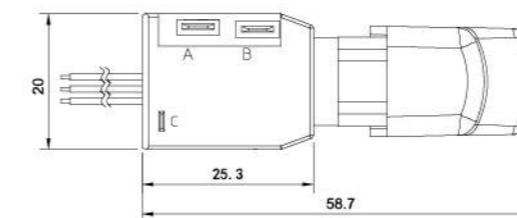
Models	Approbation:		
Mod : DPE	15)15)A 127Vac 5E4 10(10)A 250Vac 5E4 25.1A 36Vd.c.5E4	15)15)A 127Vac 5E4 10(10)A 250Vac 5E4 25.1A 36Vd.c.5E4	N/A

Switch Base Shape (开关)本体形状

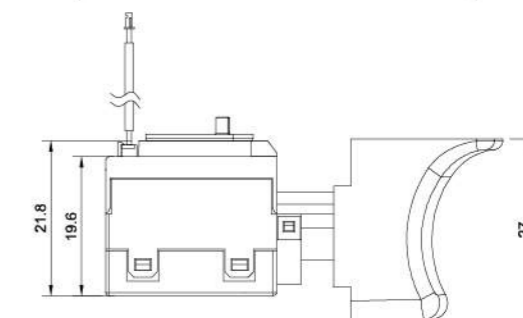
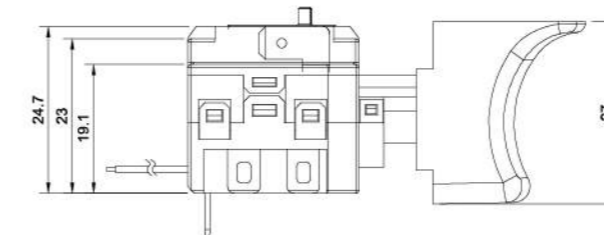
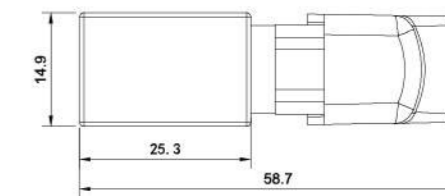
过大电流, 电子换向版本
Excessive current, electronics reversing version



过大电流, 机械换向版本
Excessive current, mechanical reversing version



全信号开关版本
Signal switch version



Product series: SDC

MODEL 61

型号 61



General Characteristics

Function:

- Single pole potentiometer switch.

Optional:

- Brake.
- Reversing module.
- Jumper wires between reversing module and main switch.
- Potentiometer.
- Various shapes and dimensions of Trigger head.

Terminals:

- Solder or fast-on lugs 4.7x0.8mm.
- Supplied with or without leads.

Applications :

- DC electric tools and garden tools such as Grass trimmer, blower, Chain saw

一般的规格参数

产品功能：

- 单极带可变电阻输出开关。

可选择的附加功能有：

- 刹车。
- 在断电条件中对工具进行换向的换向模块。
- 连接换向模块和开关主体的导线。
- 可变电阻
- 扳机和换向杆的形状和尺寸可按客户要求定制。

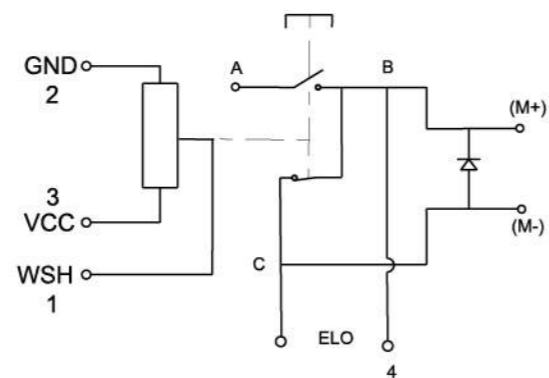
端子：

- 焊接或者快接端子 4.7x0.8mm。
- 有/无导线。

应用：

- 使用在直流电动工具及园林工具上，例如打草机、吹风机、链锯

Circuit Diagram 原理图

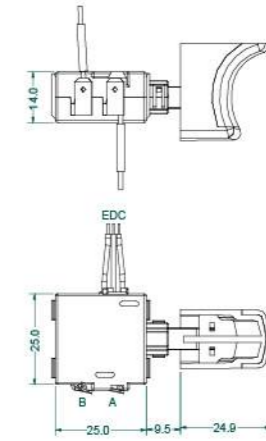
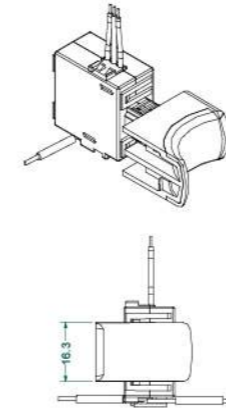


Approvals 安规认证

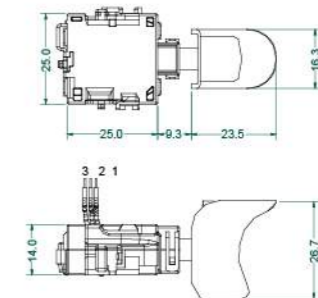
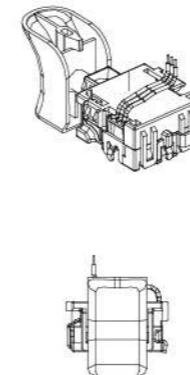
Models	Approbation:		
Mod : 61	0-25A 0-36Vdc 5E4	8A up to 25A 7.2Vdc -36Vdc 5E4	12A up to 20A 12Vdc -28Vdc 5E4

Switch Base Shape (开关)本体形状

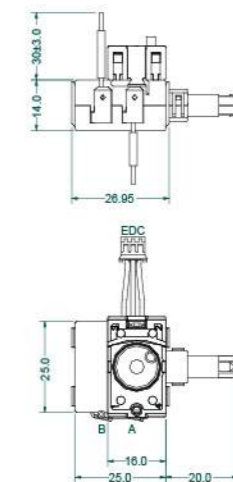
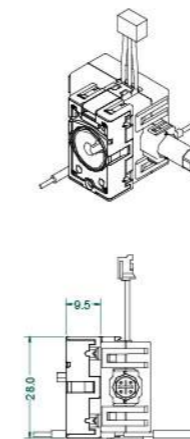
I Potentiometer switch
(可变电阻输出开关)



II Potentiometer switch with brake
(可变电阻输出带刹车开关)



III Potentiometer switch with brake and reversing module
(可变电阻输出带刹车和换向功能)



Product series: HP

MODEL 06

型号 06

General Characteristics

Function:

- Single pole switch with speed control electronics and bypass contact.
- Brake.
- Also available as on/off switch.

Optional:

- Reversing module with zero current switching rotation mode.
- Brake function
- Jumper wires between reversing module and main switch.
- Potentiometer.
- Various shapes and dimensions of triggerhead and reversing lever.

Terminals:

- Push-in terminals.

Applications:

- Professional and DIY-products such as Drill, Jigsaw and Reciprocating saw.

一般的规格参数

产品功能:

- 具有可变速度和全速控制的单极开关。
- 刹车。
- On-Off 版本。

可选择的附加功能有:

- 在断电条件中对工具进行换向的换向模块。
- 连接换向模块和开关主体的导线。
- 可变电阻输出。
- 扳机和换向杆的形状和尺寸可按客户要求定制。
- 刹车功能

端子:

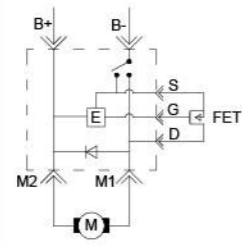
- 插线端子。

应用:

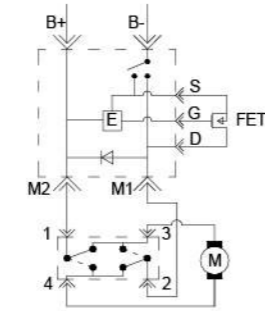
- 可以适用于专业类或者DIY类的工具上, 例如电钻, 曲线锯, 往复锯。

Circuit Diagram 原理图

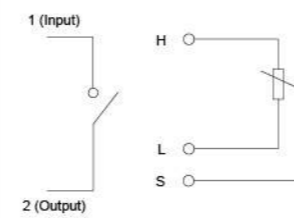
Wire diagram A:
线图路A:



Wire diagram B:
线图路B:



Wire diagram C:
线图路C:

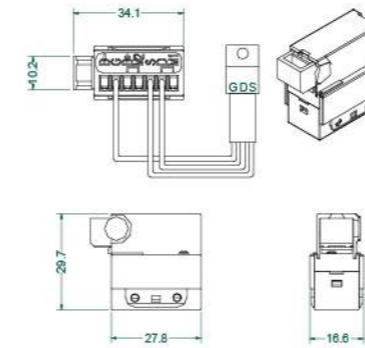


Approvals 安规认证

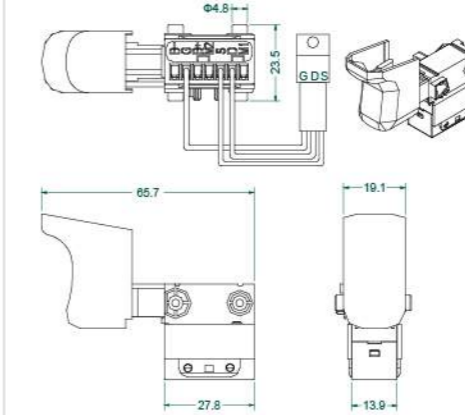
Models	Approbation:		
Mod : 06	0-20A 0-24Vdc 5E4 0-20A 0-36Vdc 5E4	8A up to 20A 7.2Vdc -36Vdc 5E4	8A up to 20A 12Vdc -36Vdc 5E4

Switch Base Shape (开关)本体形状

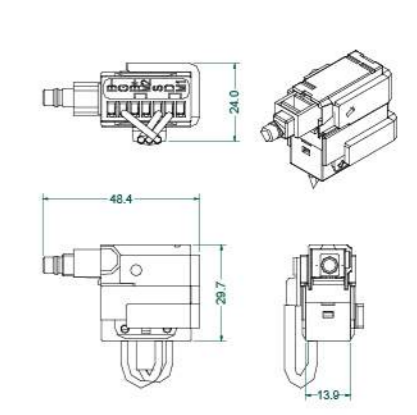
I Base shap
(本体尺寸)



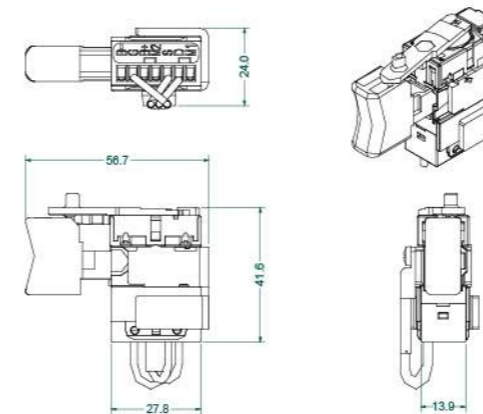
II With four mounting studs
(两侧各有用于定位的二个定位柱)



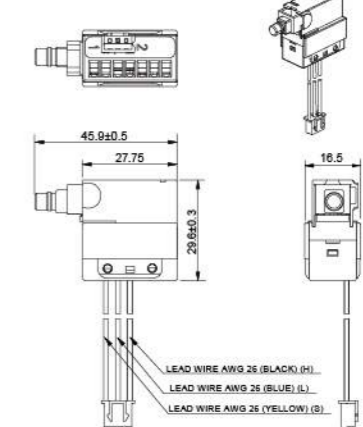
III With heatsink on switch body
(带散热片并装配于开关主体)



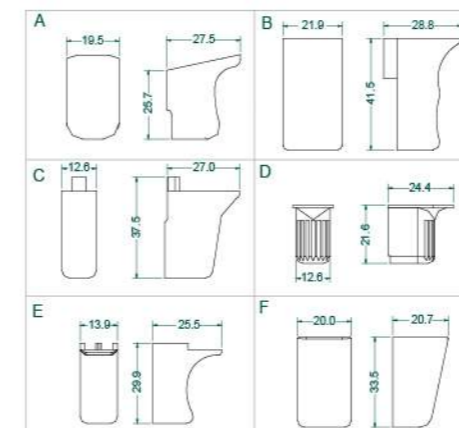
IV With reversing function
(带换向功能)



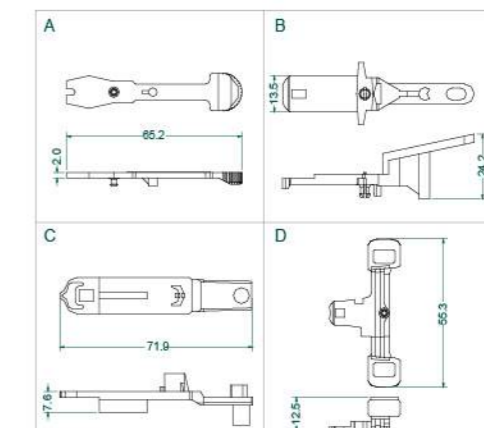
VII With reversing Signal switch
(信号开关)



Trigger Head Options
(可选的扳机形状)



Lever Options
(可选的换向杆形状)



*HP series switches could share trigger head with US series.
*HP 系列开关基本上能与US系列共用扳机。

*HP series switches could share reversing lever with US series.
*HP 系列开关基本上能与US系列共用换向杆。

Product series: CHA MODEL 15

型号 15



General Characteristics

Function:

- Anti-tease contact system.
- High AC rating.
- Double pole single throw or single pole double throw with brake.
- Screw terminals.
- Dust protected.
- No lock or lock on or with safety lock function.
- Lock button and triggerhead in various size and shapes.

Applications:

- Heavy duty Class II appliances for instance Angle grinder, Circular Saw, Marble Cutter, Cut-Off machine.

一般的规格参数

产品功能:

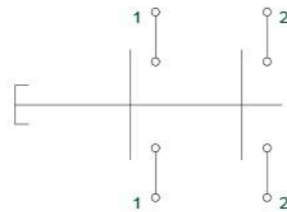
- 瞬间过档的触点机构。
- 大额定功率的AC开关。
- 双极单掷或者单极双掷带刹车。
- 锁螺丝端子结构。
- 防尘保护。
- 开关可选不带锁住功能，带自锁或者反自锁功能。
- 锁的和扳机有不同的尺寸以及外形的选择。

应用:

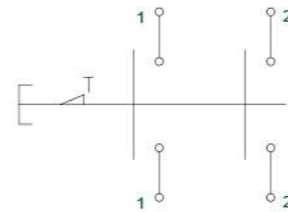
- 使用在重型的II类器具上，例如角磨机，圆锯，云石切割机，切割锯。

Circuit Diagram 原理图

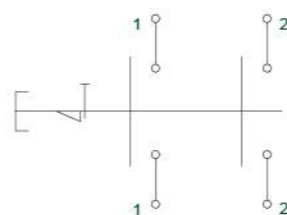
Double pole with No Lock
双极不带锁住功能



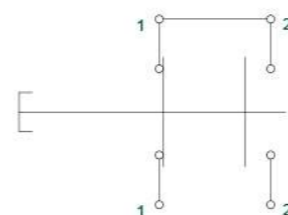
Double pole with lock on
双极带锁住功能



Double pole with safety lock
双极带反自锁功能



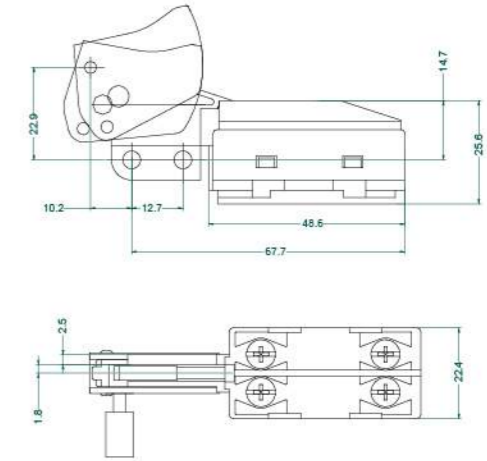
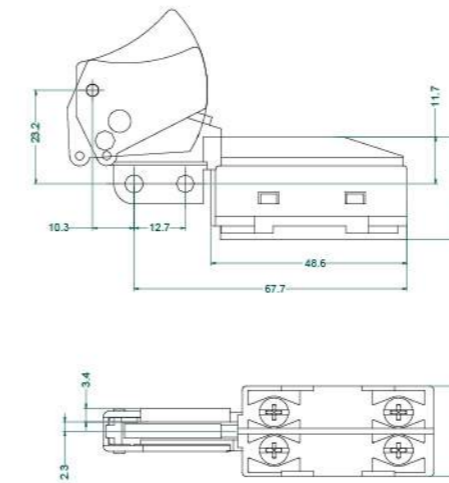
Single pole with break
单极带刹车功能



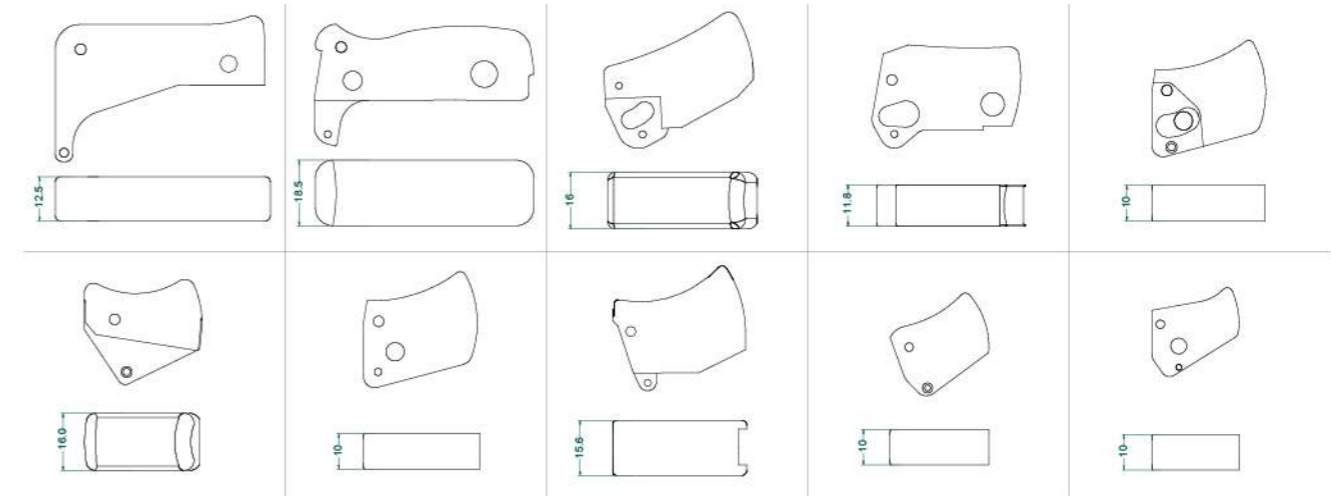
Approvals 安规认证

Models	Approbation:		
Mod : 15	10(10)A up to 22(22)A 125Vac 5E4 30A 24-48Vdc 5E4 15A 127Vdc 5E4	8(8)A up to 12.5(12.5)A 250Vac 5E4 10(10)A up to 22(22)A 127Vac 5E4 30A 24-48Vdc 5E4	8(8)A up to 12.5(12.5)A 50Vac 5E4 30A 24-48Vdc 5E4

Switch Base Shape (开关)本体形状



Triggerhead options 可选的扳机形状



Lockbutton options 可选的锁的形状





General Characteristics

Function:

- Anti-tease contact system.
- DC On-Off .
- High voltage DC rating capable.
- Single pole double throw with brake.
- Double pole single throw function.

Terminals:

- 6.3x0.8mm Quick connect or solder terminals for connection.

Applications:

- High power DC appliances such as Garden tools.

一般的规格参数

产品功能:

- 瞬间过档的触点机构。
- DC On/Off 开关。
- 高压DC功率开关。
- 单极双掷带刹车功能。
- 双刀单掷功能。

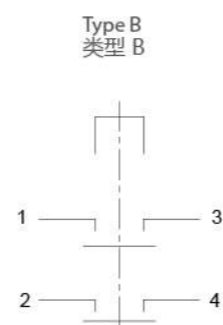
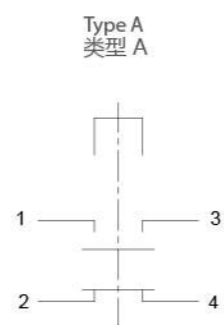
端子:

- 适合6.3x0.8mm的快插端子的接线方式。

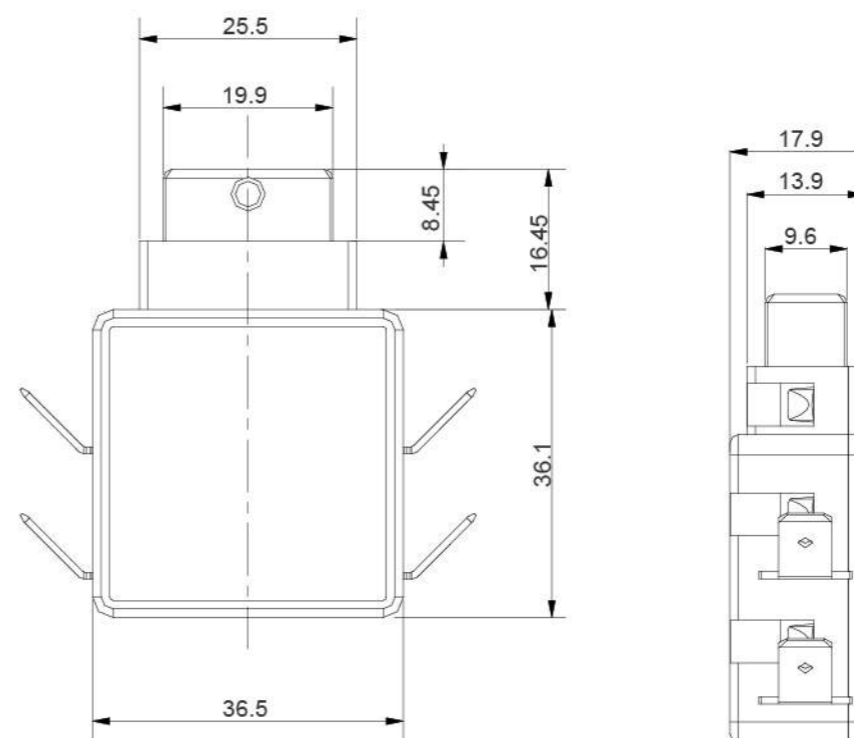
应用:

- 使用大功率的DC器具上, 例如园林工具。

Circuit Diagram 原理图



Switch Base Shape (开关)本体形状



Approvals 安规认证

Models	Approbation:		
	UL US	EN 05	CQC
Mod : 10	0~30A 24-60Vdc 0~25A 24-36Vdc	25A 36Vdc 30A 60Vdc	20A up to 30A 36Vdc 5E4 20A up to 30A 60Vdc 5E4

Product series: CDP

MODEL CDP

型号 CDP



General Characteristics

Function:

- On-Off version.
- Single pole or double pole version.
- Momentary-On switch.
- Dust protected.
- Optional integrated holder for interference capacitors.

Terminals:

- Screw terminals for supply cord.
- Push-in terminals for connection of internal wiring.

Applications:

- Class II appliances for instance High-power medium Angle grinder.

一般的规格参数

产品功能:

- On-Off 版本。
- 单极或者双极通断功能。
- 快速导通功能。
- 具有防尘功能。
- 外壳可以演变成满足安装不同尺寸的滤波电容。

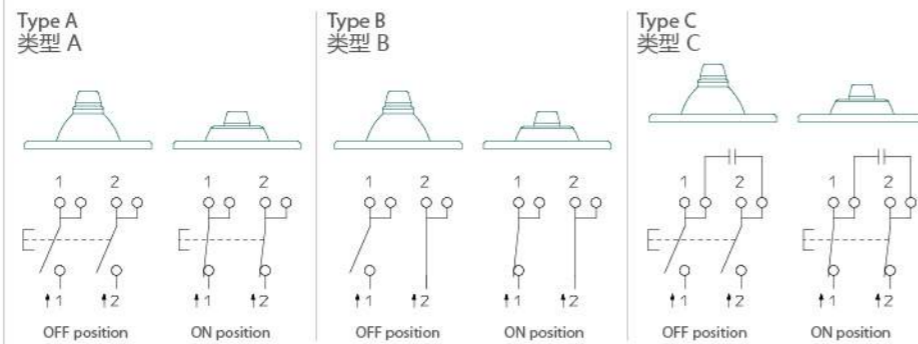
端子:

- 与电源端为螺丝端子接线方式。
- 与工具内部端为插线端子的接线方式。

应用:

- 使用在II类器具上, 例如大功率中型角磨机。

Circuit Diagram 原理图

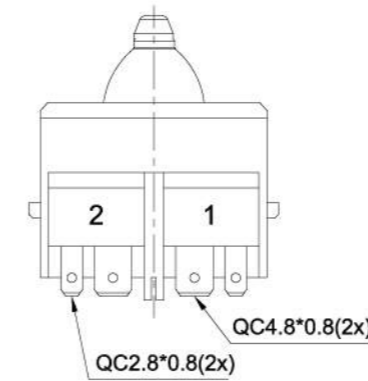


Approvals 安规认证

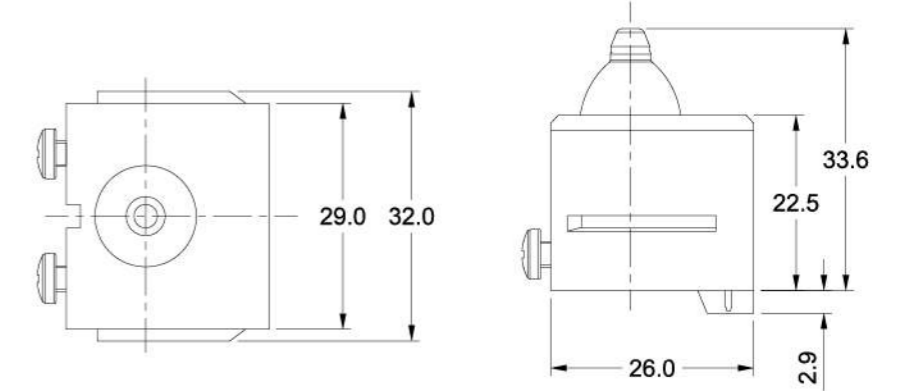
Models	Approbation:		
Mod : CDP	35A 36Vd.c. 5E4	35A 36Vd.c. 5E4	N/A

Switch Base Shape (开关)本体形状

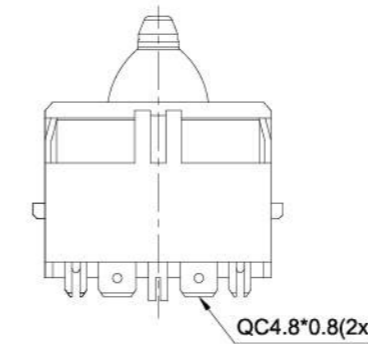
类型A
ON/OFF功能



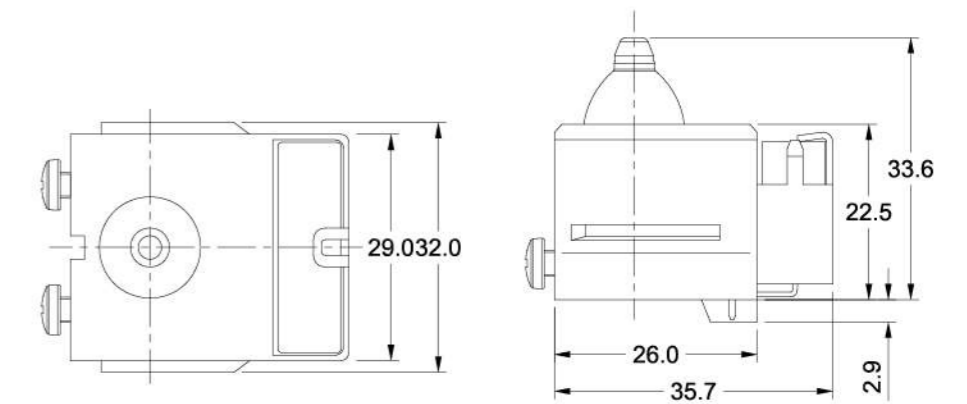
Type A
ON/OFF Switch



类型B
ON/OFF功能
带抗干扰电容



Type B
ON/OFF Switch
Interference capacitor



Product series: MCS

MODEL 02

型号 02



General Characteristics

Function:

- Micro switch compact structure with a very short contact time
- Short travel distance; small operation force
- High sensitivity snap action the ON / OFF switch

Features:

- Contact gap < 3mm or ≥ 3mm
- Wide range of operation force from 0.2~5N
- Can meet the 105 ° C environmental requirements
- Customized lever options
- Dustproof IP60

Type of terminals:

- Various quick push-in terminals
- PCB terminals
- Solder terminals

Applications:

- "Widely used in home appliances, power tools, electronic equipment, automation equipment, communication equipment, automotive electronics, instrumentation and other fields"

一般的规格参数

产品功能:

- 结构紧凑,微小触点间距,动作行程短,高灵敏度快速通断的ON/OFF 开关

可选功能:

- 接触间距有小于3mm或者大于等于3mm种类
- 操作力范围可选择从0.2~5N
- 可满足105°C的环境使用要求
- 可以依据客户需求定制多样化的驱动杆
- 防尘等级IP60

端子类型:

- 多样的快插端子选择
- PCB插件端子
- 焊锡端子

应用:

- "广泛应用于各种家用电器、电动工具、电子设备、自动化设备、通讯设备、汽车电子、仪器仪表等领域"

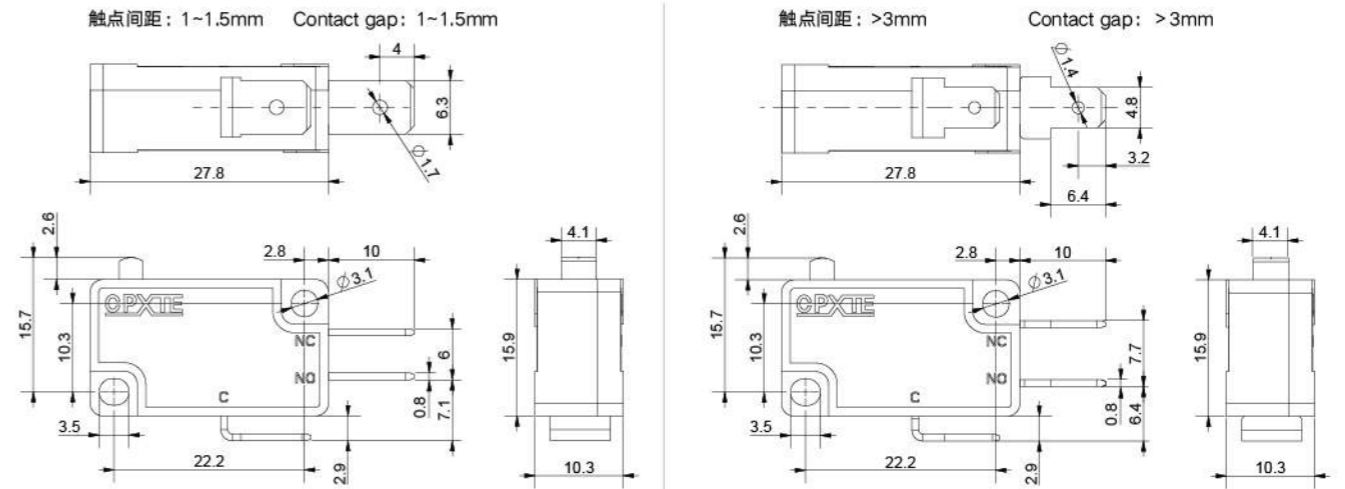
Circuit Diagram 原理图



Approvals 安规认证

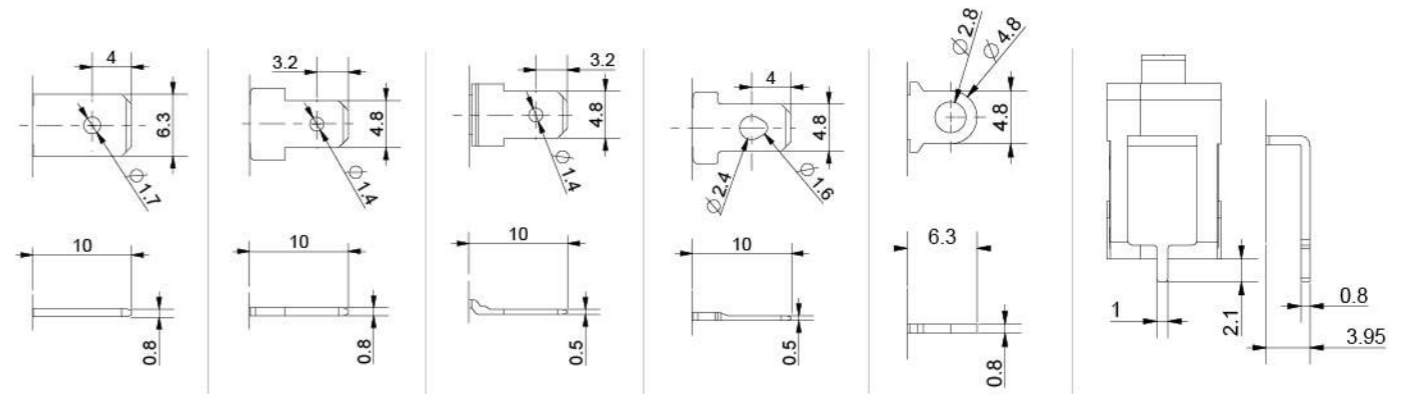
Models	Approbation:	
Mod : 02	0~16(10)A 127Vac T85/T105 5E4 0~16A 36Vd.c. T85/T105 5E4	4(4)A~16(4)A 127/250Vac T85/T105 5E4 8A 36Vd.c. T85/T105 5E4 25.1(8)A 250Vac T85/T105 5E4 16(10)A 127/250Vac T85/T105 1E4 16A 36Vd.c. T85/T105 1E4

Switch Base Shape (开关)本体形状

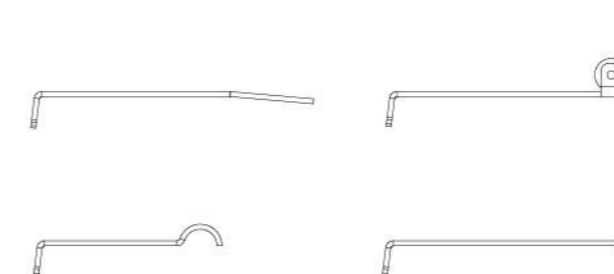


Terminal type 端子形态

- 快插端子: 6.3x0.8mm QC-Terminal 6.3*0.8mm
- 快插端子: 4.8x0.8mm QC-Terminal 4.8*0.8mm
- 快插端子: 4.8x0.5mm QC-Terminal 4.8*0.5mm
- 焊锡端子: 4.8x0.5mm Tin-Terminal: 4.8*0.5mm
- 焊锡端子: 4.8x0.8mm Tin-Terminal: 4.8*0.8mm
- PCB焊锡端子 PCB-Terminal



Lever form 压杆形态



Button form 按钮形态

