

# E/M

## Electrical Module Series

电子模块系列



<b>EMI</b>	MOD 98	<b>DC01</b>	MOD DC01
<b>AC01</b>	MOD AC01	<b>DC02</b>	MOD DC02
<b>AC02</b>	MOD AC02	<b>DC03</b>	MOD DC03
<b>AC03</b>	MOD AC03	<b>DC04</b>	MOD DC04
<b>AC04</b>	MOD AC04	<b>DC05</b>	MOD DC05
<b>AC05</b>	MOD AC05	<b>DC06</b>	MOD DC06

Product series: EMI

MODEL 98

型号 98

Product series: AC01

MODEL AC01

型号 AC01

Filter

滤波器

General Characteristics

一般的规格参数

Function:

- The AC input is converted to (pulse) DC output
- With input filter function.

产品功能:

- 交流输入转换为 (脉冲) 直流输出
- 带输入滤波功能

Specifications:

- Input 120Vac, Output 100-110Vdc
- Input 230Vac, Output 200-210Vdc

规格:

- 输入120Vac, 输出100-110Vdc
- 输入230Vac, 输出200-210Vdc

Terminals:

- Quick-connect terminals

端子:

- 快插端子

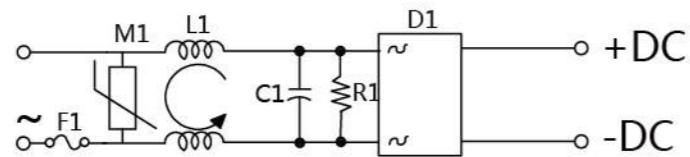
Applications:

- power tools, garden tools, small household appliances and so on.

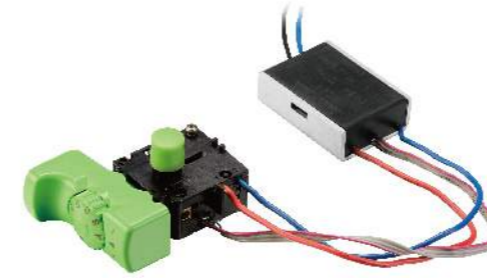
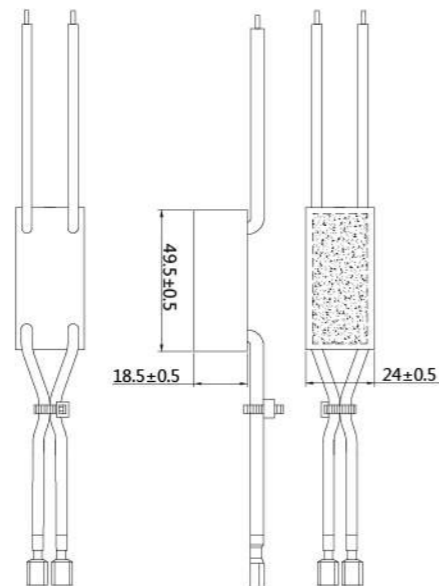
应用:

- 电动工具、园林工具、小家电等

Circuit Diagram 原理图



Base Shape 本体形状



AC speed control module

交流调速模块

General Characteristics

一般的规格参数

Function:

- Ac speed control module
- Over current protection
- Power factor at full load of not less than 0.85
- Two voltage versions

产品功能:

- 交流调速功能
- 过流保护功能
- 满负载时功率因数不低于0.85
- 两种电压版本

Specifications:

- 127Vac 13A 250Vac 8A

规格:

- 127Vac 13A 250Vac 8A

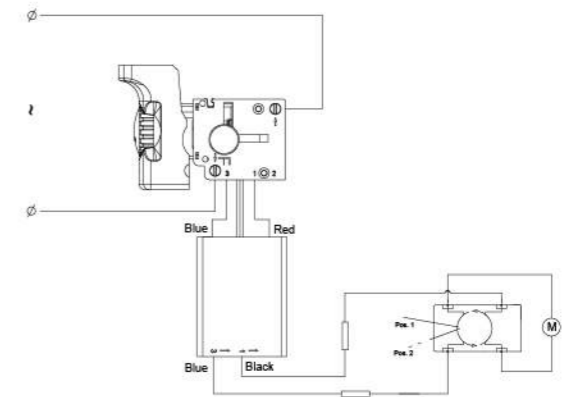
Applications:

- power tools, garden tools, small household appliances and so on.

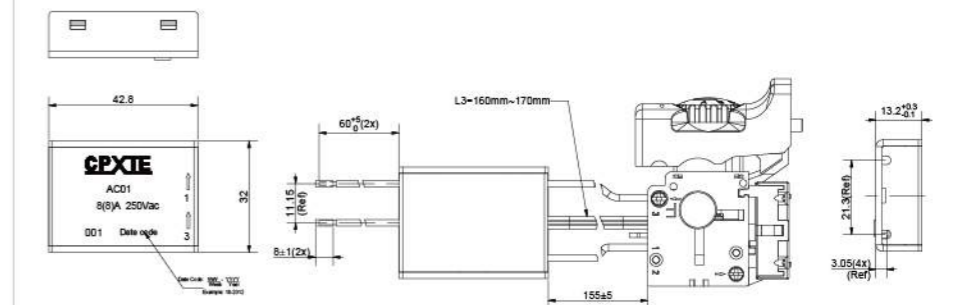
应用:

- 电动工具、园林工具、小家电等

Circuit Diagram 原理图



Base Shape 本体形状





Product series: AC02

MODEL AC02

型号 AC02

Product series: AC03

MODEL AC03

型号 AC03



Constant power module

恒功板

General Characteristics

一般的规格参数

Function:

- AC motor soft start function
- Constant power function

产品功能:

- 交流电机软启动功能
- 恒功功能

Specifications:

- 8(8)A 250Vac 5E4
- Soft start time: 300-1000mS

规格:

- 8(8)A 250Vac 5E4
- 软启时间: 300-1000mS

Terminals:

- Quick-connect terminals

端子:

- 快插端子

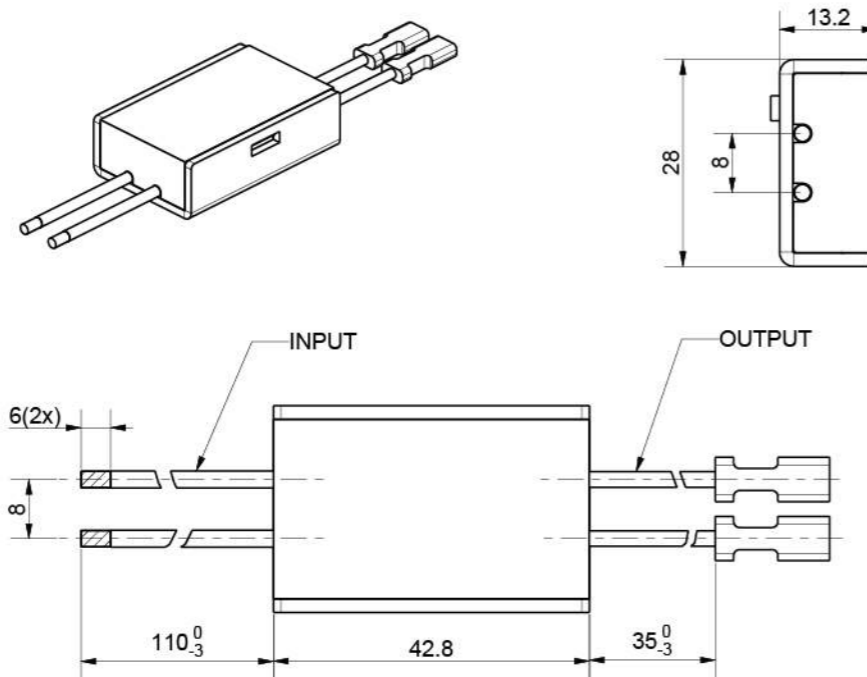
Applications:

- power tools, garden tools, small household appliances and so on.

应用:

- 电动工具、园林工具、小家电等

Base Shape 本体形状



Filter and Rectifier

抗干扰整流模块

General Characteristics

一般的规格参数

Function:

- The AC input is converted to (pulse) DC output
- Input filter function

产品功能:

- 交流输入转换为 (脉冲) 直流输出
- 输入滤波功能

Specifications:

- 2.5A 230Vac 50Hz

规格:

- 2.5A 230Vac 50Hz

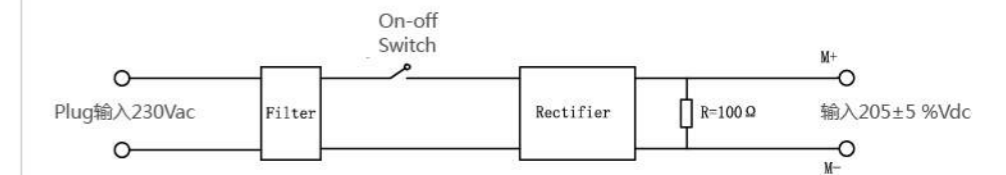
Applications:

- power tools, garden tools, small household appliances and so on.

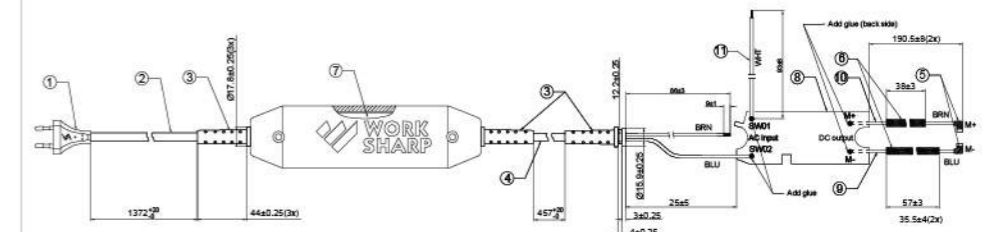
应用:

- 电动工具、园林工具、小家电等

Circuit Diagram 原理图



Base Shape 本体形状



Product series: AC04

MODEL AC04

型号 AC04

AC motor control module

交流马达控制模块

General Characteristics

Function:

- Soft start function
- Variable speed function
- Constant power function

Specifications:

- 127Vac 8A 250Vac 6A

Applications:

- power tools, garden tools, small household appliances and so on.

一般的规格参数

产品功能:

- 软启动功能
- 变速功能
- 恒功功能

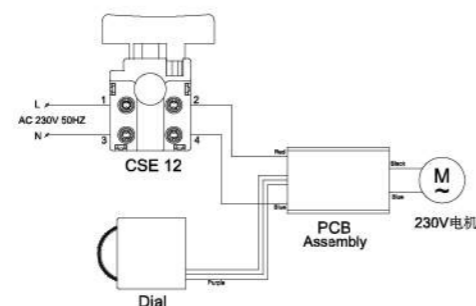
规格:

- 127Vac 8A 250Vac 6A

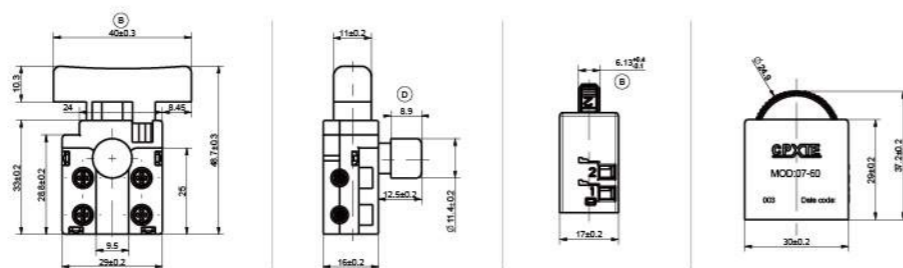
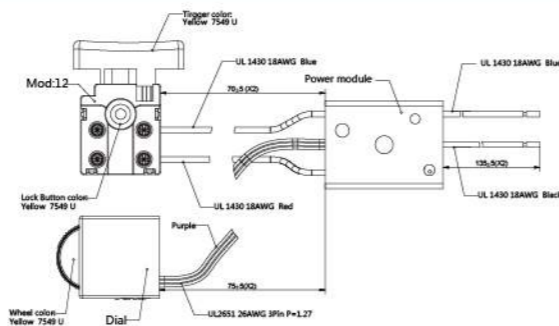
应用:

- 电动工具、园林工具、小家电等

Circuit Diagram 原理图



Base Shape 本体形状



Product series: AC05

MODEL AC05

型号 AC05

DC power supply module

DC电源模块

General Characteristics

Function:

- AC input to DC output

Specifications:

- Input 230Vac 50Hz output 24Vdc2A

Applications:

- power tools, garden tools, small household appliances and so on.

一般的规格参数

产品功能:

- 交流输入转直流输出

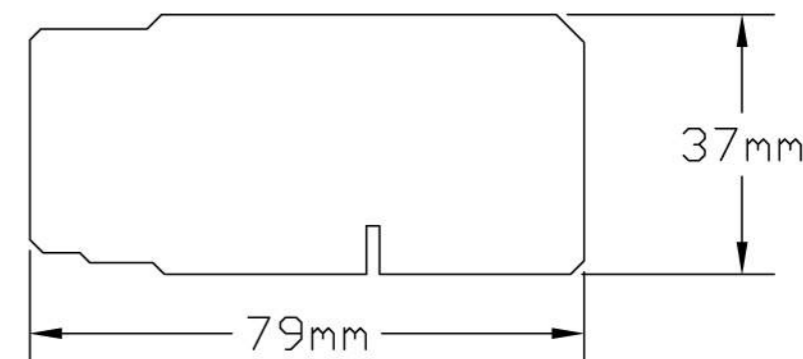
规格:

- 输入 230Vac 50Hz 输出 24Vdc2A

应用:

- 电动工具、园林工具、小家电等

Base Shape 本体形状



Product series: DC01

MODEL DC01

型号 DC01

DC motor controller

DC马达控制器

General Characteristics

一般的规格参数

Function:

- Soft start function
- Overload protection function
- Undervoltage protection
- Stall protection function
- Battery temperature protection
- Mosfet temperature protection
- Short circuit protection function
- Customized other electronic functions

产品功能:

- 软启动功能
- 过载保护功能
- 欠压保护功能
- 堵转保护功能
- 电池温度保护
- FET温度保护
- 短路保护功能
- 客户定制的其他电子功能

Specifications:

- 0-25A 0-36Vdc

规格:

- 0-25A 0-36Vdc

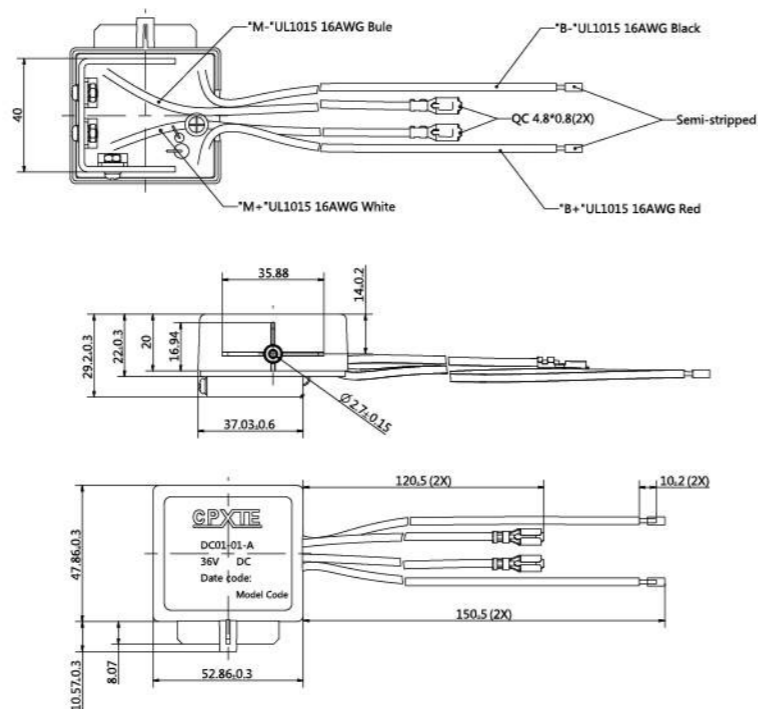
Applications:

- power tools, garden tools, small household appliances and so on.

应用:

- 电动工具、园林工具、小家电等

Base Shape 本体形状



Product series: DC02

MODEL DC02

型号 DC02

DC motor controller

DC马达控制器

General Characteristics

一般的规格参数

Function:

- Undervoltage protection
- Overload protection function
- Customized other electronic functions

产品功能:

- 欠压保护功能
- 过载保护功能
- 客户定制的其他电子功能

Specifications:

- 0-15A 0-36Vdc

规格:

- 0-15A 0-36Vdc

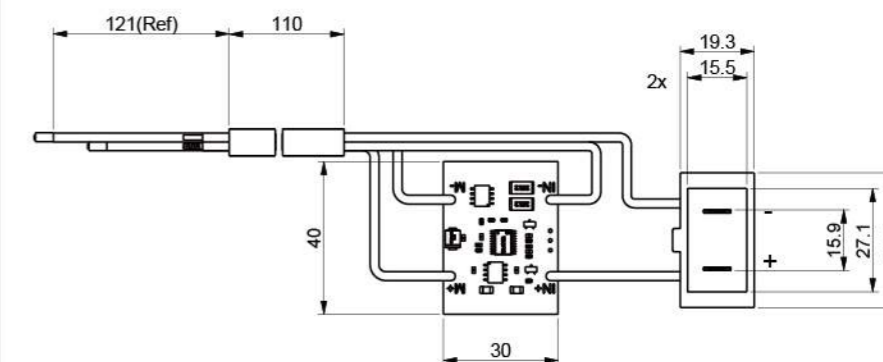
Applications:

- power tools, garden tools, small household appliances and so on.

应用:

- 电动工具、园林工具、小家电等

Base Shape 本体形状





Product series: DC03

MODEL DC03

型号 DC03

Lithium battery protection controller

锂电池保护控制器

General Characteristics

一般的规格参数

Function:

- Overcharge protection
- Under voltage protection
- Charging time protection
- Temperature protection
- Protection warning
- Overload protection
- Ultra low standby power
- Customized other electronic functions

产品功能:

- 过充电保护功能
- 欠压保护功能
- 充电时间保护功能
- 温度保护功能
- 保护前警告功能
- 过载保护功能
- 超低待机功耗
- 客户定制的其他电子功能

Applications:

- power tools, garden tools, small household appliances and so on.

应用:

- 电动工具、园林工具、小家电等



Power tools 电动工具类



Small household appliances 小家电类



Garden tools 园林工具类



Product series: DC04

MODEL DC04

型号 DC04

BLDC controller

直流无刷马达控制器

General Characteristics

一般的规格参数

Function:

- Current limiting and overcurrent protection
- Stall protection
- Stepless speed control
- LED lamp control
- Temperature protection
- Under voltage protection
- Battery pack exception protection
- Motor Hall Exceptional Protection
- Zero static power loss
- The latest ESD protection
- Battery power display
- The control with lately black-box technology, communicate, running, over-load, over-heating and abnormal data obtain etc.
- Optional Hall and No Hall technology
- Equipped with "CPXTE" professional switch, high-performance quality assurance, vibration, dust, long life
- Customized other electronic functions

产品功能:

- 限流及过流保护功能
- 堵转保护功能
- 无级调速
- LED控制
- 温度保护
- 欠压保护
- 电池包异常保护
- 电机霍尔异常保护
- 静态零功耗
- ESD防护
- 电池电量显示
- 工具最新黑匣子技术, 通信, 运行, 过载, 过热等异常数据可读
- 可选有霍尔和无霍尔技术
- 配备 "CPXTE" 专业开关、高性能质量保证, 耐震动、防尘、长寿命
- 客户定制的其他电子功能

Applications:

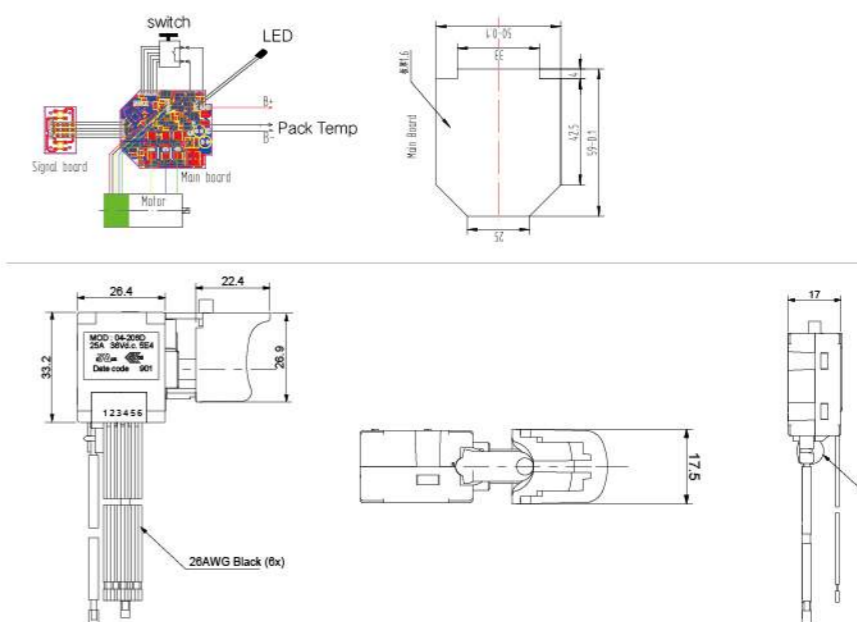
- Brushless Power Tools, Garden Tools, Small Household Appliances and so on

应用:

- 无刷电动工具, 园林工具、小家电等



Base Shape 本体形状



Product series: DC05

MODEL DC05

型号 DC05

Hall plate for Motor

电机霍尔板

General Characteristics

Function:

- Rotor position detection of brushless motor
- Detection angle 60°
- PCB shape and size can be customized

Applications:

- power tools, garden tools, small household appliances and so on.

一般的规格参数

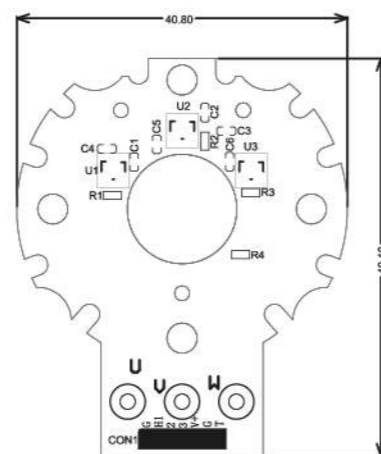
产品功能:

- 无刷马达转子位置检测
- 检测角度60°
- PCB板的尺寸可根据客户马达定制

应用:

- 电动工具、园林工具、小家电等

Base Shape 本体形状



Product series: DC06

MODEL DC06

型号 DC06

Lithium battery charger

锂电池充电器

General Characteristics

Function:

- Short circuit protection
- Over-current protection
- High and low temperature protection
- CC/CV working modes
- Good insulation performance, High electrical resistance
- Wide input voltage range, comply with the international standards
- Small DC ripple, high efficiency
- High reliability
- Customized other electronic functions

Applications:

- Brushless Power Tools, Garden Tools, Small Household Appliances and so on

一般的规格参数

产品功能:

- 输入电压范围宽, 符合全球使用标准
- 负载短路保护
- 过流保护
- 高低温保护
- CC/CV工作模式
- 绝缘性能好, 抗电强度高
- 输入电压范围宽, 符合全球使用标准
- 工作温度低, 使用寿命长
- 直流纹波小, 工作效率高
- 可靠性高
- 客户定制的其他电子功能

应用:

- 无刷电动工具, 园林工具、小家电等

Base Shape 本体形状

